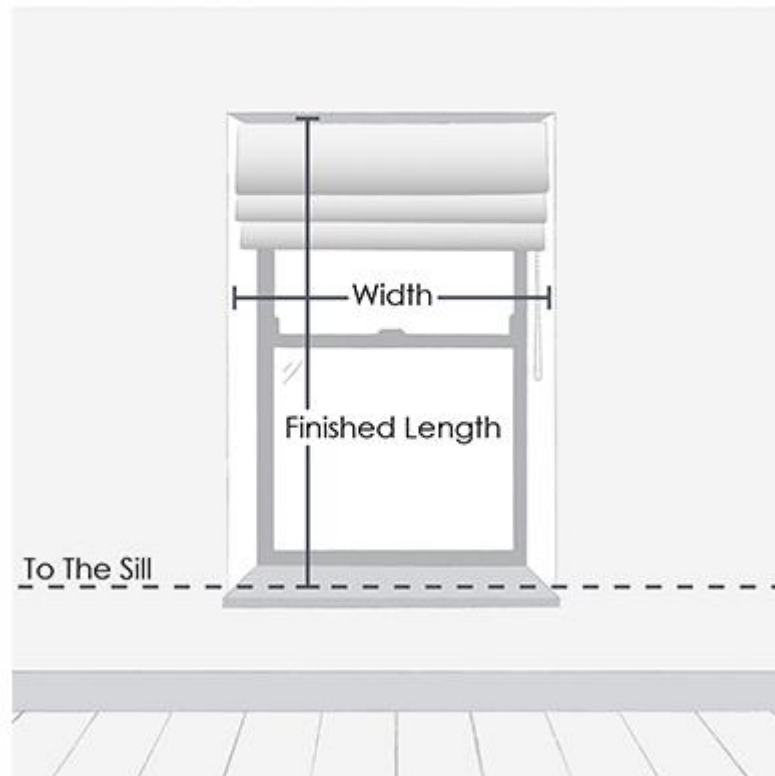


# blinds

## how to measure

### Fitting **INSIDE** the Window Reveal

1. Measure the **DROP** or length from the top of the reveal to the sill. Do this in several places as your window may not be square, and choose the smallest drop/length that best suits. This is the **finished length RECESS SIZE** of your blind.



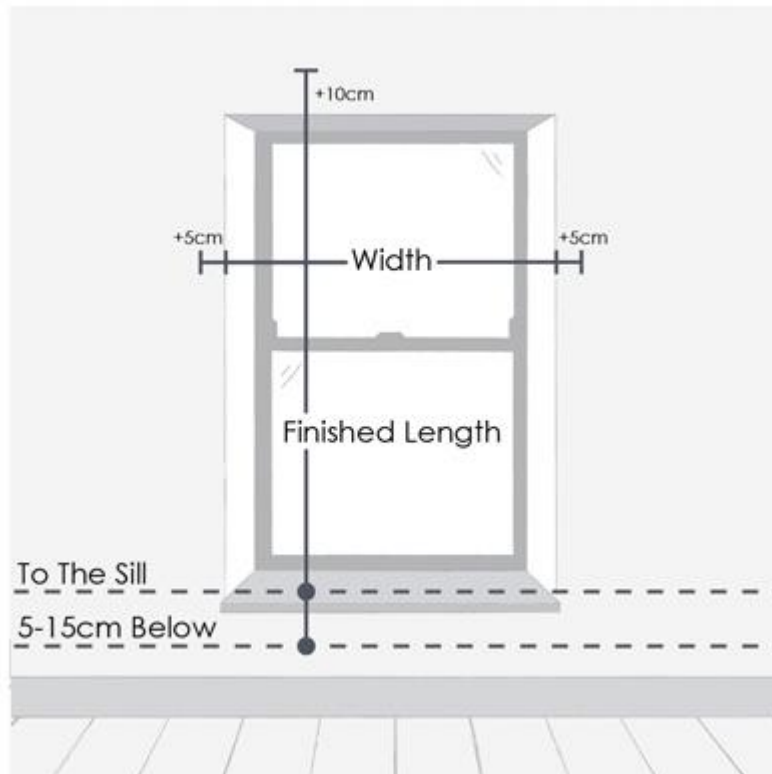
2. Measure the width of the reveal at its narrowest point. This gives your **finished width RECESS SIZE**. Be careful to measure between any tiles or Dado rails as the smallest width!
3. Note: For Blackout Fabrics Complete blackout will not be achieved due to light bleeding round the sides and any stitching that may be required.
4. Choose a mechanism and to which side this will hang.

**Tip:** Ensure that the blind is far enough away from the window handles to prevent obstruction. You may need to fix the blind to the ceiling of the reveal.



## Fitting ***Outside*** the Window Reveal

1. Decide on your preferred blind position. The top of the blind usually looks best at 10cm above the reveal. For the hem position, blinds usually fall 5-15cm below the sill (or to the sill if the sill projects). Measure the length between the top of the blind and the hem position. This is the **finished length/drop BLIND SIZE** (measure in several places to find the length that best suits).



2. Measure the reveal width. Now decide how much the blind is to overhang beyond the reveal and add this to your reveal width (usually at least 5cm to each side, check for obstructions). This gives your **finished width BLIND SIZE**.
3. Choose a mechanism and to which side this will hang.

This is only a guide.

